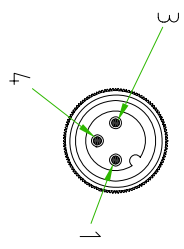
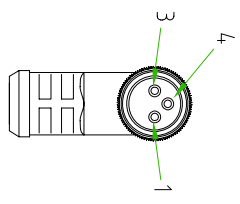
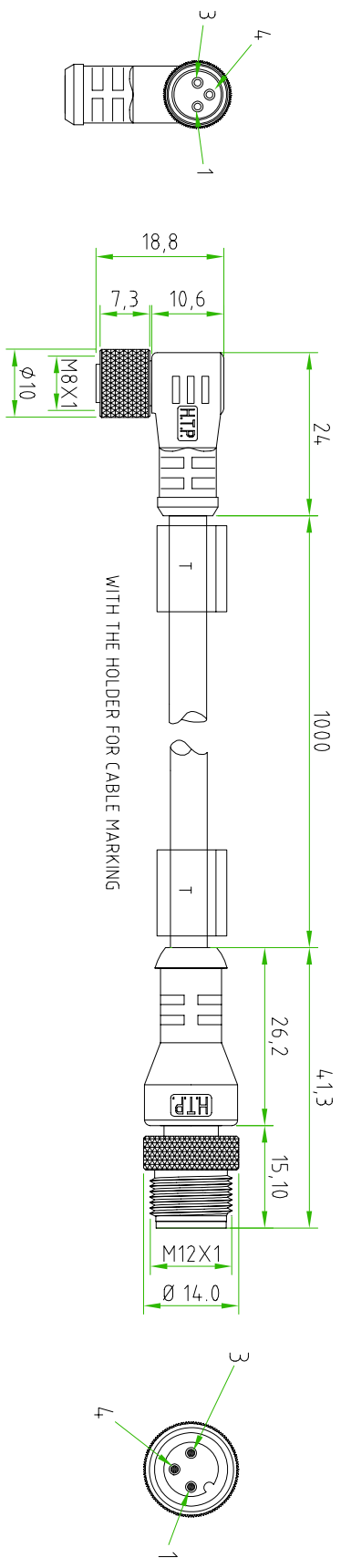


M8 FEMALE



M12 MALE



CABLE FEATURES		CONNECTOR FEATURES	
PRODUCT TYPE	M8-M12 EXTENSION	CONTACT TYPE	FEMALE-MALE
CABLE LENGTH	1000mm	M8 FEMALE 90°	3 POLES
NUMBER OF CONDUCTORS	N°3	M12 MALE 180°	3 POLES
CONDUCTOR SECTION	0.25mm <sup>2</sup>	PROTECTION CLASS	IP69K
CABLE MATERIAL	PUR	NUMBER OF CONTACTS CONNECTED	N°3
COATING COLOUR	BLACK	CONNECTORS WITH H.T.P. LOGO	
CONDUCTOR INSULATION MATERIAL	PP	EXTENSION WITH THE HOLDER FOR CABLE MARKING	

TOLLERANZE		DESIGNATORE		DATA		SCALA		DISGNO	
UDM	ANGOLO	LORENZO CHINNO CONTROLLATO		17-01-11		1:1			
DESCRIZIONE				TIPO		MATERIALE			
EXTENSION M8 FEMALE ANGLED 90° 3 POLES WITH CABLE PUR/PP				EXTENSION M8					
BLACK 3X0.25mm <sup>2</sup> 1-m-M12 MALE STRAIGHT 180° 3POLES									
				H.T.P. HIGH TECH PRODUCTS		CODICE		08FA3C1Z12MD	