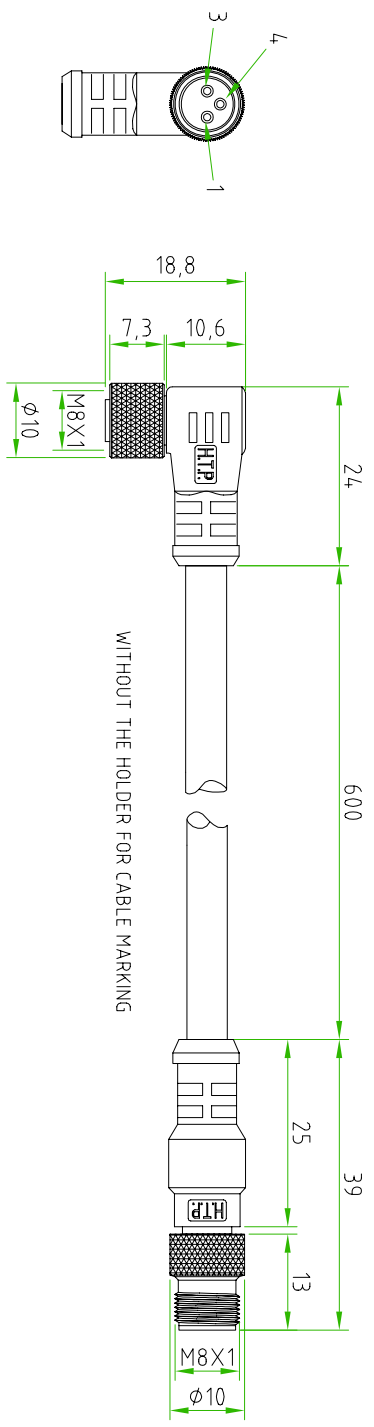


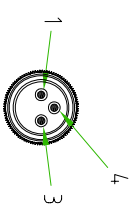
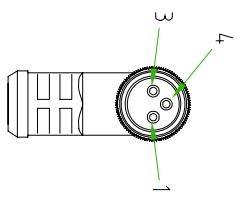
M8 FEMALE



M8 MALE



WITHOUT THE HOLDER FOR CABLE MARKING



CABLE FEATURES		CONNECTOR FEATURES	
PRODUCT TYPE	M8-M8 EXTENSION	CONTACT TYPE	FEMALE-MALE
CABLE LENGTH	600mm	M8 FEMALE 90°	3 POLES
M8 MALE 180°	3 POLES	PROTECTION CLASS	IP69K
NUMBER OF CONTACTS CONNECTED	N°3	CONNECTORS WITH H.T.P. LOGO	
EXTENSION WITHOUT THE HOLDER FOR CABLE MARKING			
H.T.P. CABLE CODE	C		
NUMBER OF CONDUCTORS	N°3		
CONDUCTOR SECTION	0.25mm ²		
CABLE MATERIAL	PUR		
COATING COLOUR	BLACK		
CONDUCTOR INSULATION MATERIAL	PP		

TOLLERANZE		DESIGNATORE		DATA		SCALA		DISGNO	
UDM	ANGOLO	LORENZO CHINNO CONTROLLATO		17-01-11	1:1			MATERIALE	
DESCRIZIONE				TIPO					
EXTENSION M8 FEMALE ANGLED 90° 3 POLES WITH CABLE PUR/PP.				EXTENSION M8					
BLACK 3X0 25mm ² L=0.6m M8 MALE STRAIGHT 180° 3POLES									
		H.T.P. HIGH TECH PRODUCTS		CODICE 08FA3C0F08MD					