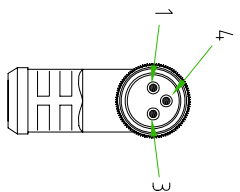
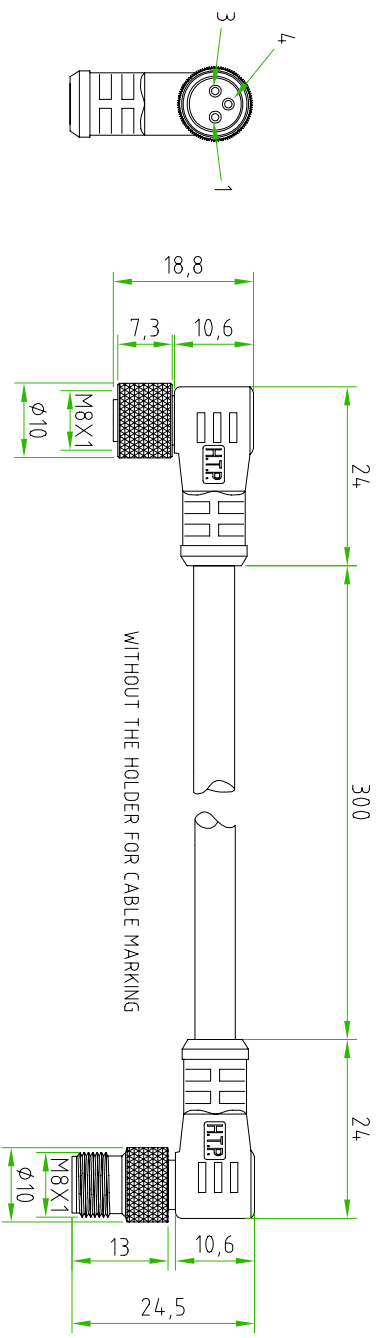


M8 FEMALE



M8 MALE



CABLE FEATURES		CONNECTOR FEATURES	
PRODUCT TYPE	M8-M8 EXTENSION	CONTACT TYPE	FEMALE-MALE
CABLE LENGTH	300mm	M8 FEMALE 90°	3 POLES
NUMBER OF CONDUCTORS	N°3	M8 MALE 90°	3 POLES
CONDUCTOR SECTION	0.25mm ²	PROTECTION CLASS	IP69K
CABLE MATERIAL	PUR	NUMBER OF CONTACTS CONNECTED	N°3
COATING COLOUR	BLACK	CONNECTORS WITH H.T.P. LOGO	
CONDUCTOR INSULATION MATERIAL	PP	EXTENSION WITHOUT THE HOLDER FOR CABLE MARKING	
		H.T.P. CABLE CODE	C

TOLLERANZE		DISIGNATORE		DATA		SCALA		DISIGNO	
UDM	ANGOLO	LORENZO CHINNO CONTROLLATO		17-01-11	1:1				
DESCRIZIONE				TIPO		MATERIALE			
EXTENSION M8 FEMALE ANGLED 90° 3 POLES WITH CABLE PUR/PP.				EXTENSION M8					
BLACK 3X0.25mm ² L=0.3m M8 MALE ANGLED 90° 3POLES									
 HTP HIGH TECH PRODUCTS		H.T.P.		08FA3C0C08MA					